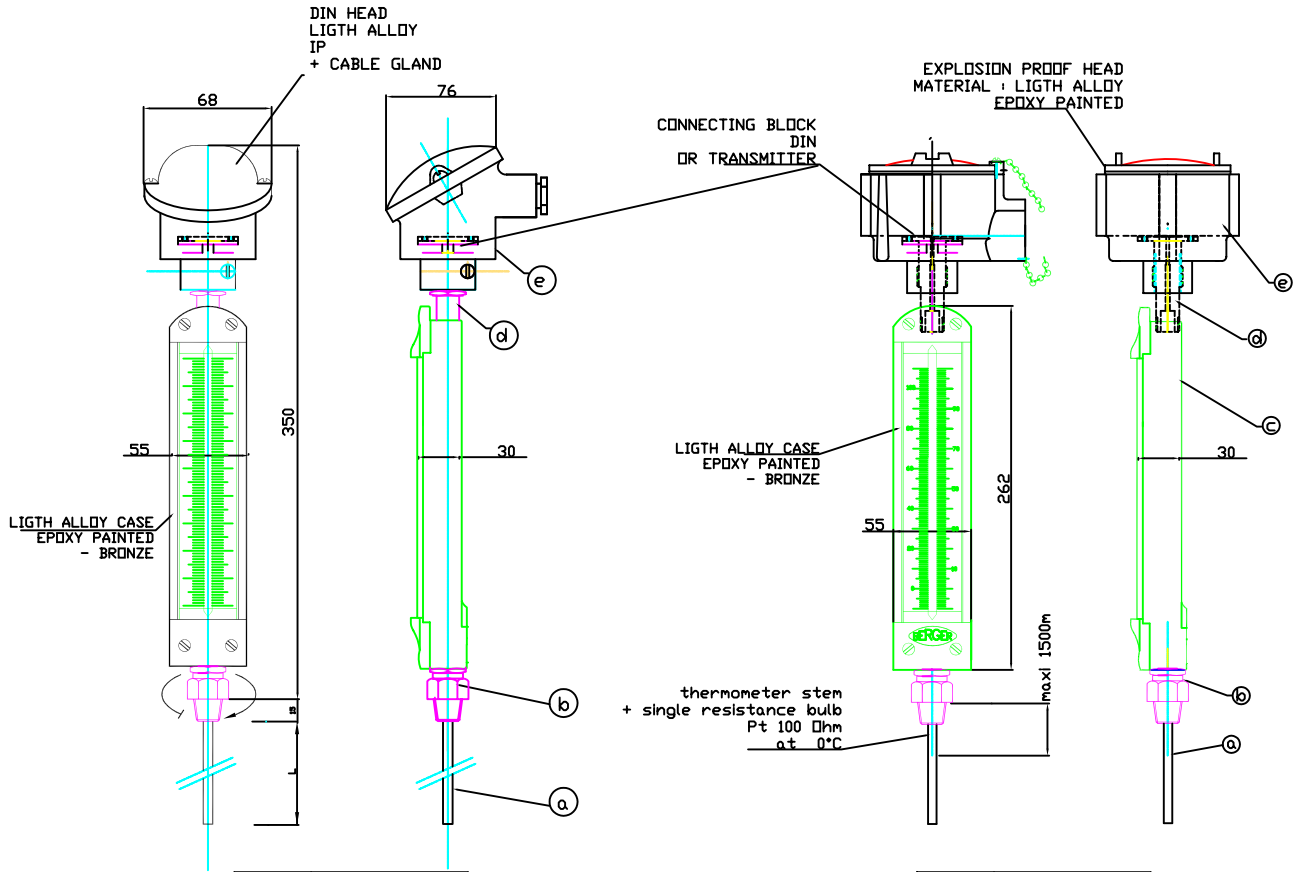




"VOTEMP"

WEATHERPROOF TYPE  
EE x i α IICT6  
LCIE 98 E 6038X

EXPLOSION PROOF TYPE  
EE x d IICT6  
LCIE 99-E 6083



TAG	DEFINITION
a	STEM SS 316L
b	Connection
c	Thermometer
d	Nipple
e	Head

TAG	DEFINITION
a	STEM SS 316L
b	Connection
c	Thermometer
d	Nipple
e	Head

TECHNICAL DESCRIPTIVE

- a - Stem  $\varnothing 9$  stainless steel SS316L
- b - Junction stainless steel SS316L 1/2" 3/4" 1" GAS or NPT or others on request
- c - Electrical junction
  - Connecting block DIN 3 wires resistance bulb
  - thermocouple K,J,T
  - transmitter 4-20mA