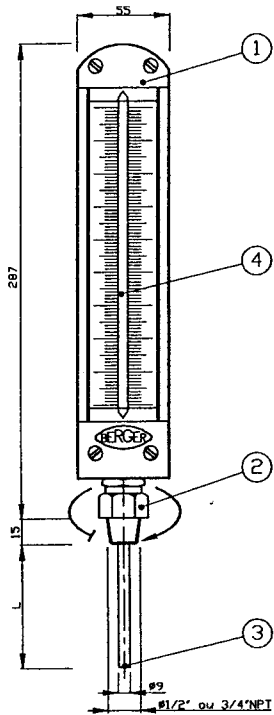
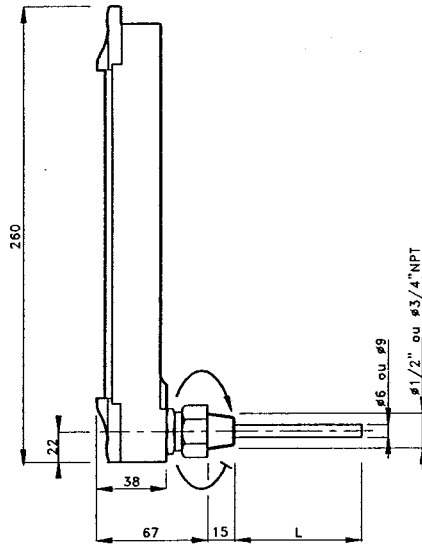


OPTICAL GLASS THERMOMETERS

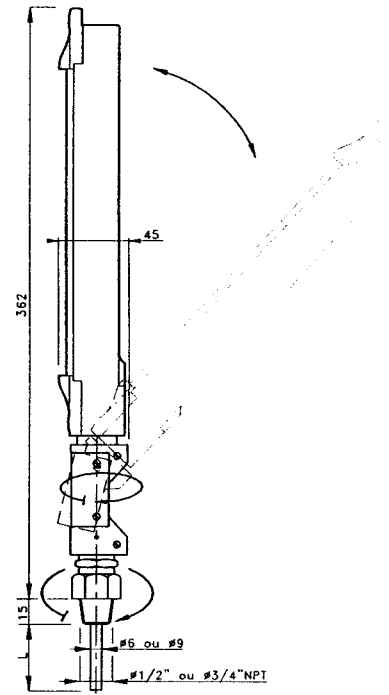
STRAIGHT TYPE



90° BACK ANGLE



UNIVERSAL TYPE
O.U.



Scale in °C	Stem length "PL" in mm			
	100	160	250	400
-50 +50	101	161	251	401
-30 +50	102	162	252	402
0 +100	103	163	253	403
0 +160	104	164	254	404
0 +220	105	165	255	405
0 +300	106	166	256	406
0 +400	107	167	257	407
0 +500	108	168	258	408
0 +625*	109	169	259	409

Technical description

- ① Case light alloy
- ② Adjustable union SS 316L
- ③ Stem SS 316L
- ④ Thermometer bulb

note: Alcohol ≤ 220°C
Mercury filled ≥ 220°C

* Only STRAIGHT TYPE and 90°BACK ANGLE

DESIGNATION SYMBOL

Optical glass thermometer	V			
Orientation Straight		D		
90° Back angle		V		
Universal			OU	
Connexion Ø1/2"NPT				W
Ø1/2"GAZ Cyl.				X
Ø3/4"NPT				Y
Ø3/4"GAZ CYL.				Z
Scale and Stem "PL" (according to table)				404

EXEMPLE :

