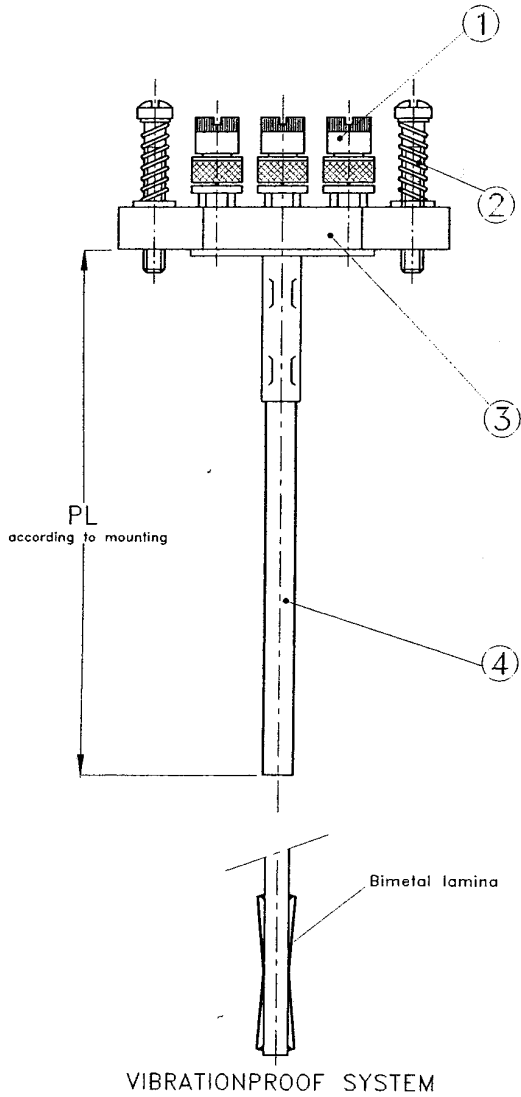
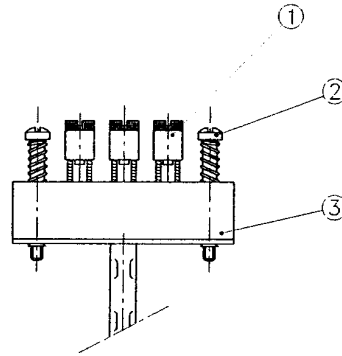


COMPACT RESISTANCE BULB

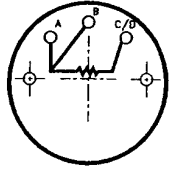
STANDARD TYPE



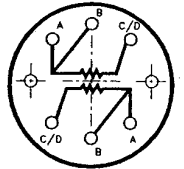
DIN TYPE



CONNECTING BLOCK RESISTANCE I
DIN TYPE SINGLE - 3 WIRE

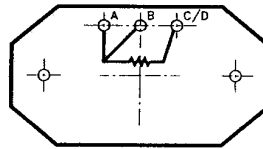


CONNECTING BLOCK RESISTANCE E
DIN TYPE DUPLEX - 6 WIRE

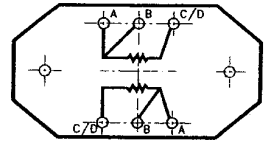


STANDARD

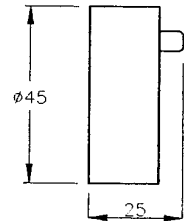
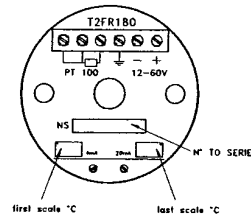
CONNECTING BLOCK RESISTANCE BULB
SINGLE TYPE - 3 WIRE



CONNECTING BLOCK RESISTANCE BU
DUPLEX TYPE - 6 WIRE



TRANSMITTER (according to notice)



Technical description

- ① Connecting Nickel brass
- ② Screws spring system
- ③ Refractory terminal blocks
- ④ Refractory terminal blocks

DESIGNATION SYMBOL

Resistance bulb	SINGLE _____	S
	DUPLEX _____	D
Diameter	Ø3 - Ø4,5 - Ø6 - Ø8 _____	6
Precision	DIN 43760 classe B _____	R1
	" " classe A _____	R2
	" " 1/3DIN _____	R3
	" " special _____	Rx
Connecting block standard	_____	S
	DIN _____	D
	Transmitter _____	T
Length (under connecting block)	_____	PL

EXAMPLE

