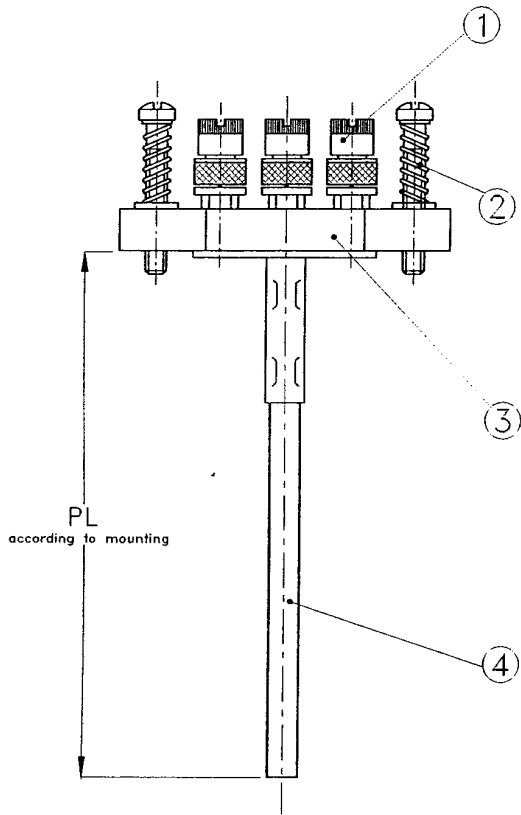
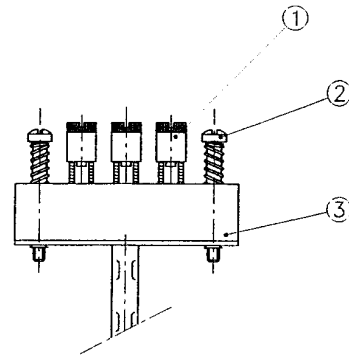


STANDARD RESISTANCE BULB

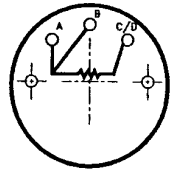
STANDARD TYPE



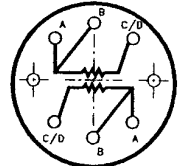
DIN TYPE



CONNECTING BLOCK RESISTANCE BULB
DIN TYPE SINGLE - 3 WIRE

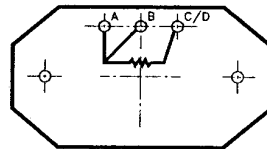


CONNECTING BLOCK RESISTANCE BULB
DIN TYPE DUPLEX - 6 WIRE

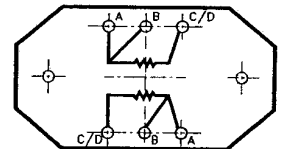


STANDARD

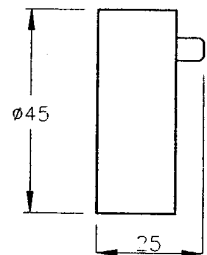
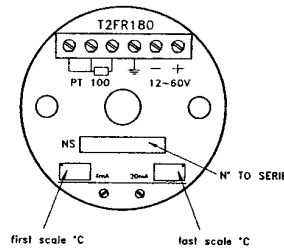
CONNECTING BLOCK RESISTANCE BULB
SINGLE TYPE - 3 WIRE



CONNECTING BLOCK RESISTANCE BULB
DUPLEX TYPE - 6 WIRE



TRANSMITTER (according to notice)



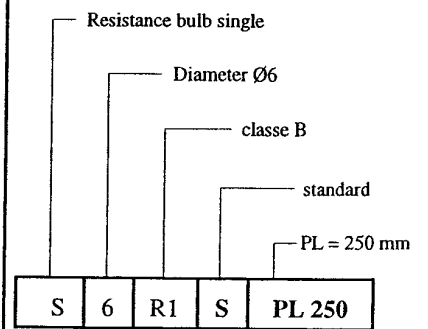
Technical description

- ① Connecting Nickel brass
- ② Screws spring system
- ③ Refractory terminal blocks
- ④ Pipe SS316L

DESIGNATION SYMBOL

Resistance bulb SINGLE _____	S				
DUPLEX _____	D				
Diameter Ø6 - Ø7 _____	6				
Precision DIN 43760 classe B _____		R1			
" " classe A _____		R2			
" " 1/3DIN _____		R3			
" " special _____		Rx			
Connecting block standard _____			S		
DIN _____			D		
Transmitter _____			T		
Length (under connecting block) _____				PL	

EXAMPLE



S	6	R1	S	PL 250
---	---	----	---	--------