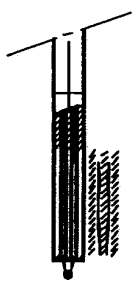
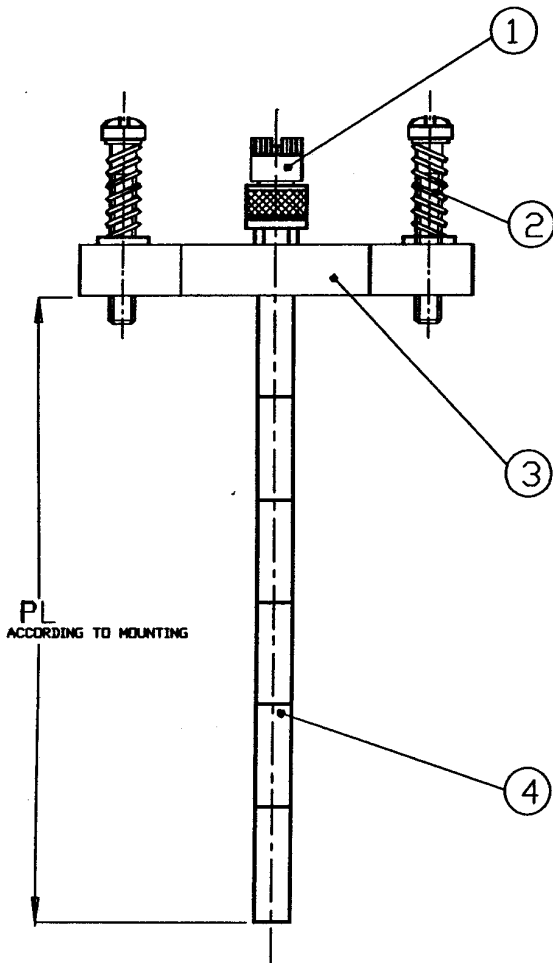
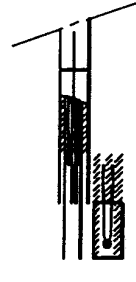


# THERMOCOUPLE Insulators

## STANDARD TYPE

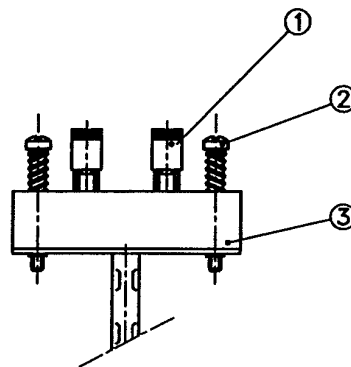


Hot Junction grounded

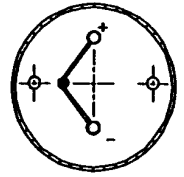


Insulated  
Hot Junction grounded

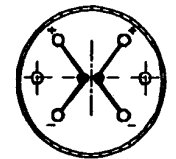
## DIN TYPE



CONNECTING BLOCK DIN  
SINGLE TYPE 3 WIRES

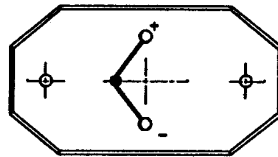


CONNECTING BLOCK DIN  
DUPLEX TYPE 4 WIRES

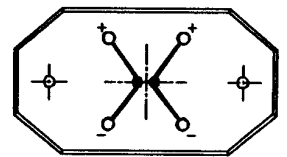


## STANDARD

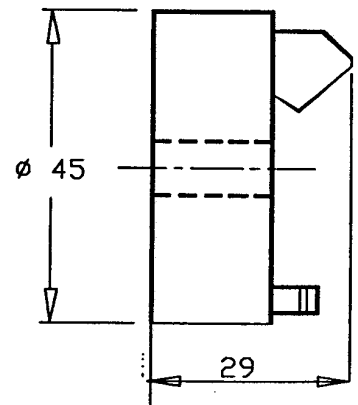
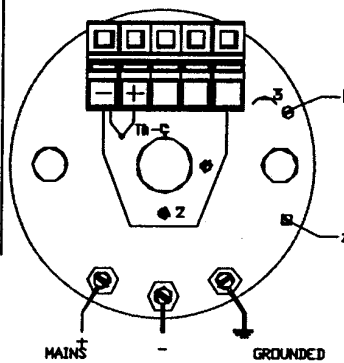
CONNECTING BLOCK DIN  
SINGLE TYPE 2 WIRES



CONNECTING BLOCK DIN  
DUPLEX TYPE 4 WIRES



## TRANSMITTER (according to notice)



### Technical description

- ① Connecting Nickel brass
- ② Screws( option spring system )
- ③ Refractory thermal blocks
- ④ Insulator

### DESIGNATION SYMBOL

THERMOCOUPLE SINGLE	S								
THERMOCOUPLE DUPLEX	D								
TYPE T - J - K - N - S		K							
Diameter # 5-# 7-#8			5						
Precision class B			R1						
Precision class A			R2						
Connecting block standard				S					
Connecting block DIN				D					
Transmitter					T				
Length (under connecting block)							PL		

### EXAMPLE

