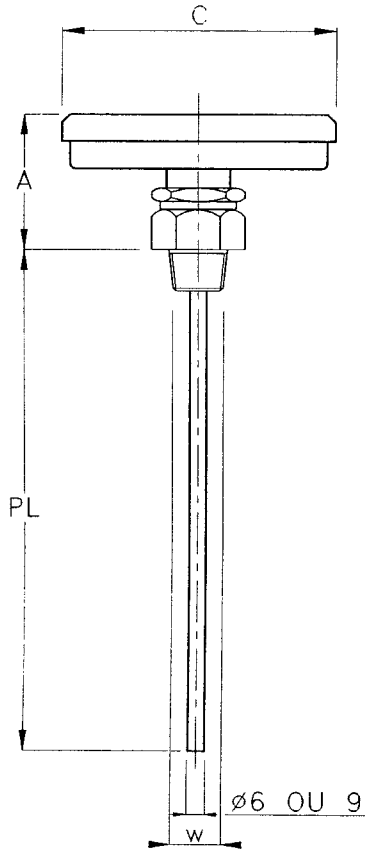
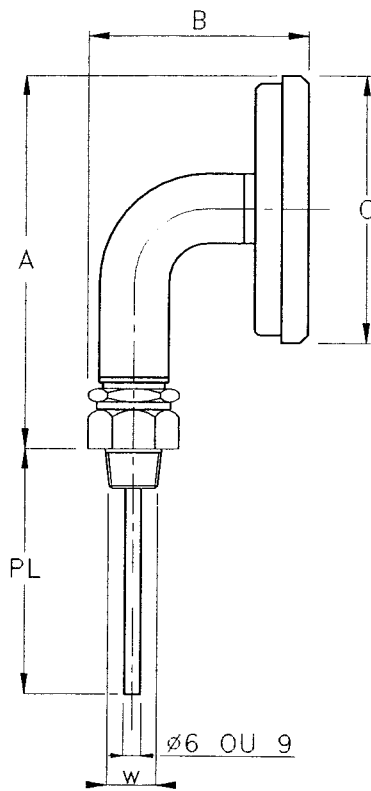


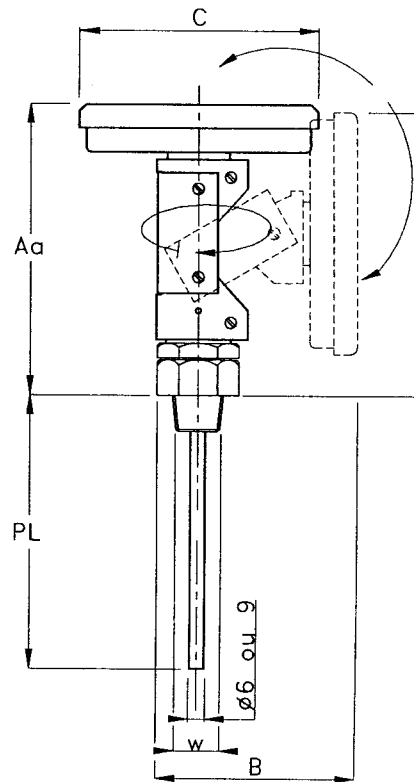
HORIZONTAL TYPE
TH



VERTICAL TYPE
TV



UNIVERSAL TYPE
OU



TH			
Ø CASE (mm)	A	B	C
100	58	-	114
150	63	-	164

TV			
Ø CASE (mm)	A	B	C
100	138	83	114
150	163	88	164

OU			
Ø CASE (mm)	A	B	C
100	a 134	95	114
	b 130		
150	a 139	100	164
	b 135		

* W= Ø1/2"NPT - Ø3/4"NPT - Ø1/2"GAS cyl. - Ø3/4"GAS cyl.
Other consult us.