

# ORGANES DE PRIMOGÈNES

## ORGANES DE PRIMOGÈNES

---

PLAQUE A ORIFICE



DIAPHRAGME MONOBLOC



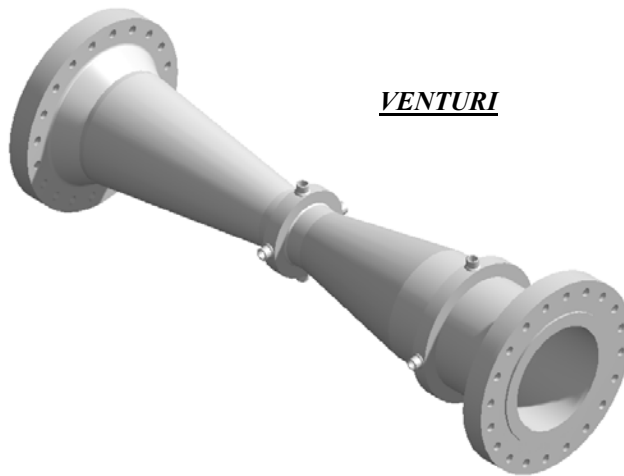
SIPHON



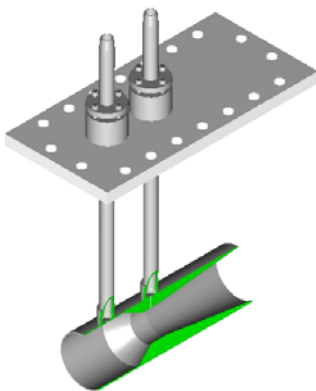
POT A CONDENSATS



VENTURI



MICRO-VENTURI



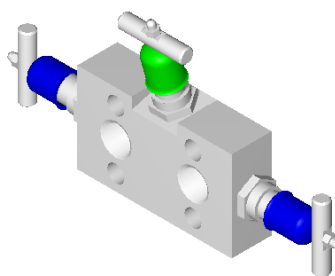
TUYERE



DIAPHRAGME RTJ



MANIFOLD 3 VOIES



# PRESSURE DIFFERENTIAL DEVICES

## PRESSURE DIFFERENTIAL DEVICES

---